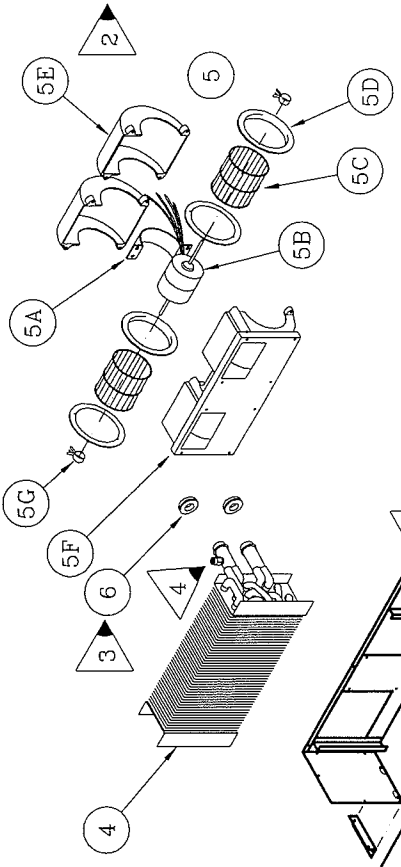
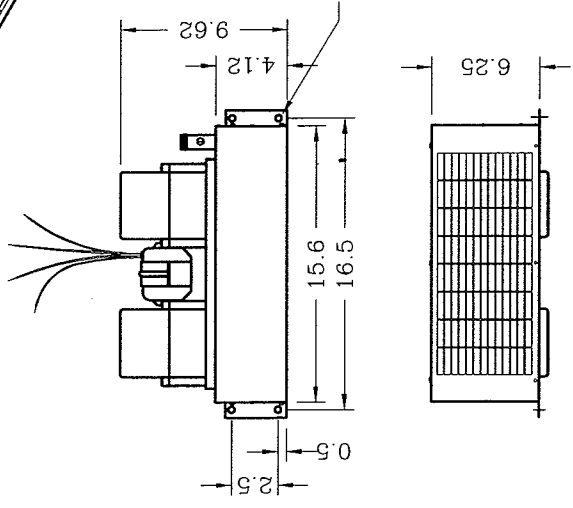


THIS DRAWING / DESIGN IS STRICTLY CONFIDENTIAL & THE
 COPYRIGHT THEREIN THE EXCLUSIVE PROPERTY OF
MOBILE CLIMATE CONTROL INC.
 AND MAY NOT BE USED OR COPIED OR EXHIBITED WITHOUT
 THEIR WRITTEN PERMISSION



SPECIFICATIONS
 HEATING - 36000 BTU/H (AT 150°F T.D.)
 AIRFLOW - 400 CFM
 CURRENT - LOW SPEED 5.2 AMPS @13.5V
 - MED SPEED 8.2 AMPS @13.5V
 - HIGH SPEED 16 AMPS @13.5V
 WEIGHT - 12 LBS.
 3-SPEED MOTOR

MADE FROM 18GA. CRS. AND FINISHED
 IN BLACK SEMI-GLOSS EPOXY POWDER COAT.



EL. LEADS EXT. 20" ±2"
 ORANGE - HIGH
 RED - MEDIUM
 YELLOW - LOW
 BLACK - GROUND

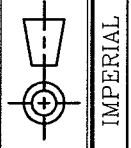
5/8" O.D. WITH BEAD (2x)
 HEATER HOSE CONNECTION

6	2	28-0008	GROMMET
5G	2	25-0022	CLIP
5F	1	25-0048	BLOWER HOUSING
5E	2	25-0348	HOUSING TOP
5D	4	25-0060	VENTURI
5C	2	25-0200	BLOWER WHEEL
5B	1	25-0053	MOTOR 12V
5A	1	25-0271	MOTOR MOUNT
5	1	15-1513	BLOWER ASSY. 12V
4	1	22-0090	HEATER COIL
3	2	24-0012	MOUNTING BRACKET
2	1	24-0056	COVER
1	1	24-0055	CASING

SYM		PCS	PART NO.	DESCRIPTION
12-1203				HEATER 12V
SCALE:		NTS		BY: CP
DATE:		MAY 2, 1997		
DWG:		P3-5049		REV: 4

CHECK BY: *lw* DATE: 2/4/62

Mobile Climate Control Inc.
 North York - Ontario - Canada



4	REVISED PER ECN #3149	FEB 04/02	BY
3	REVISED PER ECN #3017	NOV 01/01	BY
2	REVISED PER DCR #2928	SEP 20/01	MS
1	REVISED PER DCR #2768	JUL 03/01	BY
SYK	DESCRIPTION	DATE	BY
THIS PRINT IS PROVIDED ON A RESTRICTED BASIS AND IS NOT TO BE USED IN ANY WAY DETRIMENTAL TO THE INTEREST OF MOBILE CLIMATE CONTROL INC.			
REVISION			